



The Allure Colours XFM provides full RGBW colour in a compact but powerful Xchangeable Flush Mount light for all hull types.

KEY FEATURES



Up To 6,500 Fixture Lumens



36° Primary Beam



110° Secondary Diffused Beam



Circular Beam

COLOUR PART#



Colours DC
010241C



Colours AC
010242C

Xchangeable Flush Mount (XFM) is designed to be exchanged without hauling should servicing or upgrading ever be needed. The Allure XFM features an exceptionally low profile bezel, only 4mm (0.16") thick giving it virtually unlimited hull mounting options for full/partial wraps, maintaining the laminar flow of the vessel.

If used with the OceanDMX Kit and App for Android or iOS, you have all the control and customization you need to create any scene or light display you wish, with full control over sensitivity, speed and brightness.

With approval by ABS and RINA, the Allure Series is trusted by boat builders and owners worldwide.

Suitable for Fibreglass, GRP and wooden hulls. Also suitable for aluminium/steel hulls using the Delrin Isolation Sleeve accessory. Deutsch plug-and-play quick connectors make this light a quick fit.

- DMX controllable Full RGBW Colour LEDs in a compact housing.
- Maintenance / upgradeable without hauling.
- Can be used with OceanDMX Mobile App. Suitable for all hull types and sizes.

DMX COLOURS CONTROL

Colours utilize the very latest 4-channel RGBW (Red/Green/Blue/White) High Definition LEDs. Controlled via DMX-512 through the vessel's on-board systems, or wirelessly via third party devices such as an iPad, iPhone or Android. Use with OceanDMX or with a suitable controller.

PRIMARY/SECONDARY BEAM

A focused, primary 36° beam with a diffused wider 110° spread.

LOW PROFILE BEZEL

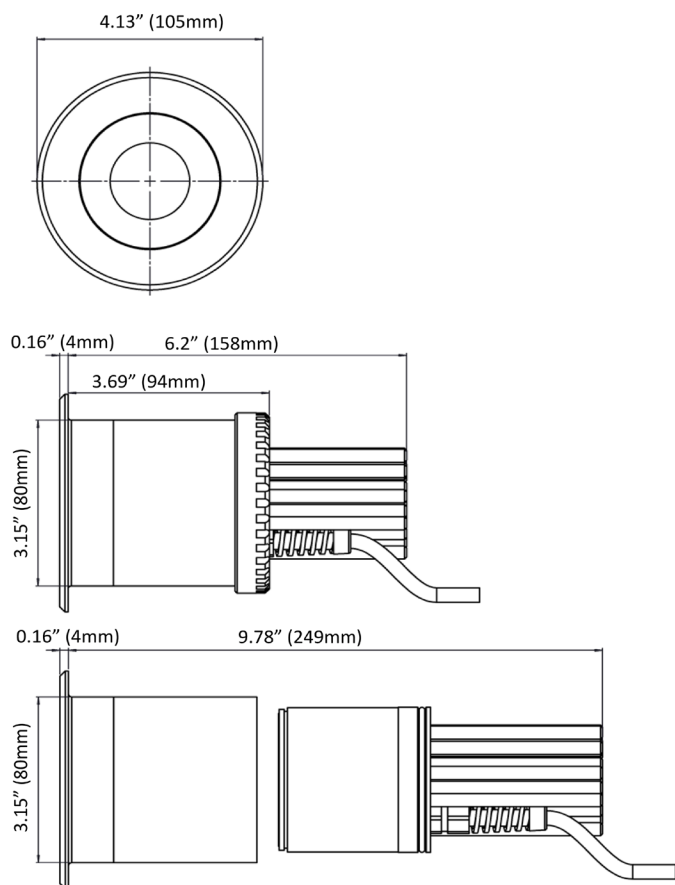
At only 4mm (0.16") thick, the Alu Bronze bezel gives virtually unlimited hull mounting options.

EASY TO CLEAN

Thanks to its Tritonium coating, a simple wipe of the lens removes any underwater growth, saving hours of scrubbing each time you use it.

ACTIVE THERMAL CONTROL

ATC prevents overheating. In the event of overheating the ATC system will reduce the LED power level in order to protect the LEDs, or in extreme cases, turn off the fixture completely.



ALLURE COLOURS

BOX CONTENTS

Light Engine with 1.8m / 6' Connection Cable

Driver with 1.8m / 6' Power Cable and 1.8m / 6' Connection Cable

3m DMX Cable

Installation Manual

ACCESSORIES	PART
2m (6.5') Plug & Play Extension Cable	001-500753
6m (19.5') Plug & Play Extension Cable	001-500754
Delrin Isolation Sleeve for 150XFM / 250XFM	001-500638
4 Way V DC Power Junction Box	019901
DMX Touch Panel Controller (includes 1 Terminator Kit)	001-500596
DMX Wifi Touch Panel Controller (includes 1 Terminator Kit)	01-500598
OceanDMX Pro Series HD App Controller Kit	011705

MOUNTING RECOMMENDATIONS

Transom / Hull spacing	1-1.8m (3-6')
Transom quantity	4+
Hull quantity	4+/side

TECHNICAL	
Lumens	9900
Fixture Lumens	6500
Typical LED life expectancy	40,000+ Hours
Minimum-Maximum operating voltage DC	19-36V DC
Minimum-Maximum operating voltage AC	90-270V AC
Current / Amp draw (DC)	24V DC 5A
Current / Amp draw (AC)	110V AC 50/60HZ 1.4A 230V AC 50/60HZ 0.7A
Approx. light penetration (avg. water quality)	13.5m (44')
Approx. Light penetration (perfect water)	Up to 32+m (104')
Driver type	External

PHYSICAL

Total weight including electrical driver	8.25kg
Driver size (L x W x H) Excluding Connectors	360 x 160 x 105mm (143/16 x 61/4 x 3.5")
Extension cable length (standard)	2m (6.25')
Hole cut-out	83mm (3.25")
Hole cut-out with Delrin Sleeve	89mm (3.5")
Mounting Tube Material	Aluminium Bronze AB2
Light Cartridge	Anodised Aluminium

*Fixture Lumens rating is a measurement of Ultra White total light output from a finished lighting fixture. This measurement can only be obtained from either a Goniophotometer or an Integrating sphere. Fixture Lumens is the most reliable, professional measurement of light output.