



OceanBridge

MULTIZONE LIGHTING CONTROLLER

Quick Install Guide

For the full instructions, scan the QR code below:



FULL INSTALL MANUAL

To register your product and receive notifications for software upgrades, scan the QR code below:



PRODUCT REGISTRATION



Expandable System



Touch interface



10 Dynamic Scenes



Universal Compatibility



Colour Control



10 Lighting Zones



Dynamic Audio Mode



Wave Motion Mode

The OceanBridge is a patented multizone lighting controller, designed specifically for easy control of all your boat's lights from an MFD, smartphone, or tablet. This innovative system allows you complete control of the entire OceanLED range of lights and accessories, as well as most third-party (DMX or on/off) DC-powered lights. The OceanBridge gives you complete control, of colour change, music sync, colour fade, colour transitions, brightness, zone creation, and our patented movement-to-colour functionality.

TECHNICAL INFORMATION:

Water Protection Rating	IP66	Bluetooth	Built-In
Power Consumption	6W (500mA @12V DC) NMEA2000 Bus Powered LEN = 10	Material	Robust Polycarbonate
Operating Voltage	12/24V DC (Max 32V DC)	On-board Sensors	Gyroscope/Accelometer Sensor Thermal Sensor
Power Input	NMEA2000 Connector Port	Operating Temperature	-10°C to 50°C ambient
Wi-Fi	Built-In	Network Connections	NMEA2000 connection Ethernet connection
External Switch Inputs	Supports Four External Switch Inputs	Audio	1 x Audio-In 3.5mm 1 x Audio-Out 3.5mm
USB Connectivity	1 x USB port (Memory stick only)	DMX / RDM (RS485 Interface)	1 x DMX512-A Input 1 x DMX512-A Input / Output

UNIVERSAL COMPATIBILITY AND CONTROL

The OceanBridge is compatible with all major MFD units, including Garmin, Simrad, Lowrance, B&G, Raymarine, and Furuno.

CONTROL METHODS:

- HTML5 app integrated with the MFD unit
- NMEA2000 lighting PGNs (Navico Group only)
- Web Browser Interface (Phone, Tablet or Laptop/PC)

AUDIO INTEGRATION:

- External Audio Input (Vessel Stereo or iPod/MP3)
- Bluetooth (Phone, Tablet, Laptop/PC)

SUPPORTED LIGHT TYPES:

- Four Channel: RGBW lights
- Three Channel: RGB lights
- Two Channel: Dual-colour lights
- Single Channel: Dimmable lights
- Single Channel: Switchable lights
- 2010/3010 Single Colour (legacy OceanLED lights)
- Power Toggle Single (requires OceanConnect JB)
- Power Toggle Dual (requires OceanConnect JB)
- Power Toggle Colour (requires OceanConnect JB; supported starting from OceanBridge version 1.5.7 and OceanConnect serial number 1084 onward)

MODE & FUNCTION OPTIONS:

- | | | |
|---------------------|-----------------|---------------------------|
| ✓ Colour Change | ✓ Brightness | ✓ Movement to Colour Sync |
| ✓ Colour Fade | ✓ Music Sync | ✓ Scene Setup |
| ✓ Colour Transition | ✓ Zone Creation | ✓ Light Effects |



IMPORTANT FEATURES

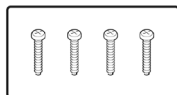
- **Wi-Fi:** Built-in Wi-Fi allows the unit to be directly connected to a smartphone or laptop to control lights. The default Wi-Fi SSID is "OceanBridge" and the password is "password". Once connected, use a web browser to access <http://192.168.0.1>. The SSID and password should be changed in the Wi-Fi settings menu. The system can be connected to any existing on-board Wi-Fi network.
- **Scene Setup:** On the **Home Screen**, click the **'Save Scene'** to save the current setup for each zone. The scene can then be named and saved. A 'Scene Card' will then be created. Selecting this will recall the saved zone settings.
- **Trigger Inputs:** Up to four external switches can be connected to trigger saved scenes or turn zones on/off. The actions are configured by opening the main menu and selecting **'Settings/External Trigger Setup'**.
- **Timers:** Scenes or lights off can be triggered via timers. In the main menu, select **'Settings/Timer Setup'** to setup timers.
- **Security Pin:** Lock individual feature with a four-digit password. Access the main menu, then select **'System/Security'**, type default PIN: **"1234"**. Select the feature you would like to lock using the tick box list. Set your code, then click **'Lock/Apply'**.

BOX CONTENTS:

OceanBridge Unit



4x Fixing Screws



RJ45 IP67
Cable Mount Housing



Quick Install Guide



USB Memory Stick



SAFETY NOTICES:

Warning: Product installation and operation

Before installing the OceanBridge, read and follow all warning notices and instructions which are included. Failure to follow safety warnings and instructions can result in property damage, severe injury or even death.

Warning: Power supply voltage

Connecting this product to a voltage supply greater than the specified maximum rating may cause permanent damage to the unit. Refer to the Technical Specification section for voltage rating.

Warning: Hazardous or flammable atmospheres

This product is NOT approved for use in hazardous or flammable atmospheres. DO NOT install it in areas with hazardous or flammable atmospheres, such as engine rooms or near fuel tanks.

Danger: Risk of electric shock or electrocution

This OceanBridge unit must be installed by a licensed or certified electrician in accordance with all applicable local codes and ordinances. Improper installation will create an electrical hazard which could result in death or serious injury to swimmers, installers, or others due to electrical shock, and may also cause damage to property.

Warning: Switch off power supply

Ensure the vessel's power supply is switched OFF before starting to install this product. Do NOT connect or disconnect equipment with the power switched on.

IMPORTANT INFORMATION

CAUTION: Power supply protection

When installing this product and using the OceanLED power cable, make sure the power source is adequately protected by using a suitably-rated fuse or automatic circuit breaker.

Water ingress disclaimer

Although the waterproof rating capacity of this product meets the IP66, water intrusion and subsequent equipment failure may occur if the product is subjected to, such as but not limited to, high-pressure washing and/or submersion/flooding. OceanLED will not warrant products if the cause of failure is greater than the requirements for IP66 rating.

EMC installation guidelines

OceanLED equipment and accessories conform to the appropriate Electromagnetic Compatibility (EMC) regulations, to minimize electromagnetic interference between equipment and minimize the effect such interference could have on the performance of your system.

FCC Compliance

This equipment complies with FCC radiation exposure limits set forth for an uncontrolled environment and meets the FCC radio frequency (RF) Exposure Guidelines.

This equipment should be installed and operated keeping the radiator at least 20cm or more from the person's body.

This device complies with part 15 of the FCC Rules. Operation is subject to the following two conditions: (1) This device may not cause harmful interference, and (2) this device must accept any interference received, including interference that may cause undesired operation.

FCC Caution

Changes or modifications not expressly approved by the party responsible for compliance could void the user's authority to operate the equipment.

This transmitter must not be co-located or operated in conjunction with any other antenna or transmitter.

This device complies with below part 15 of the FCC Rules.

- Part 15 Subpart C
- Part 15 Subpart E

Warning: USB connection

The OceanBridge product is equipped with a USB data connection specifically intended for the connection of USB memory storage devices. Please DO NOT attempt to connect devices with AC power sources, such as PCs or Laptops, to the OceanBridge product using the USB port. This port is exclusively designed for USB memory storage devices only to ensure safe and optimal functionality.

Product disposal

Dispose of this product in accordance with the WEEE Directive.

Caution: Service and maintenance

This product does not contain user-serviceable components. Please direct all maintenance and repair inquiries to authorized OceanLED dealers. Unauthorized repairs could impact your warranty.

Unit cleaning instructions

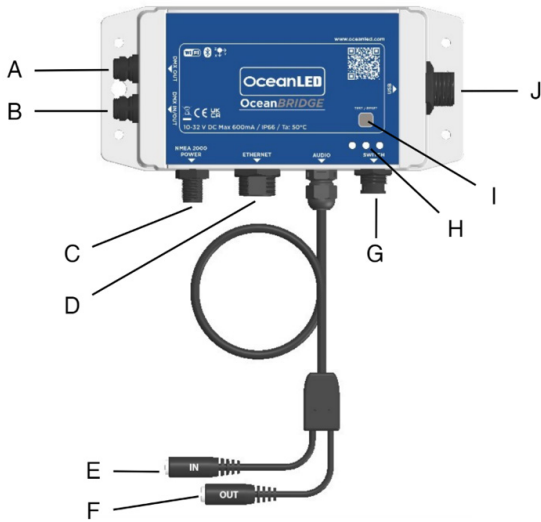
The unit does not require regular cleaning. However, if you find it necessary to clean the unit, please follow the steps below:

1. Ensure power is switched off.
2. Wipe unit clean with a damp cloth.
3. If necessary, use a mild detergent solution to remove grease marks.

Technical accuracy

To the best of our knowledge, the information in this document was correct at the time it was produced. However, OceanLED cannot accept liability for any inaccuracies or omissions it may contain. Please check the OceanLED website (www.oceanled.com) to ensure you have the most up-to-date version(s) of the documentation for your product.

CONNECTIONS OVERVIEW:



Item	Function
A	DMX Out
B	DMX In/Out
C	NMEA2000 / Power (12/24V)
D	Ethernet
E	Audio In
F	Audio Out
G	Switch Input
H	Diagnostic LEDs
I	Test/Reset Switch
J	USB Port (Memory Stick only)

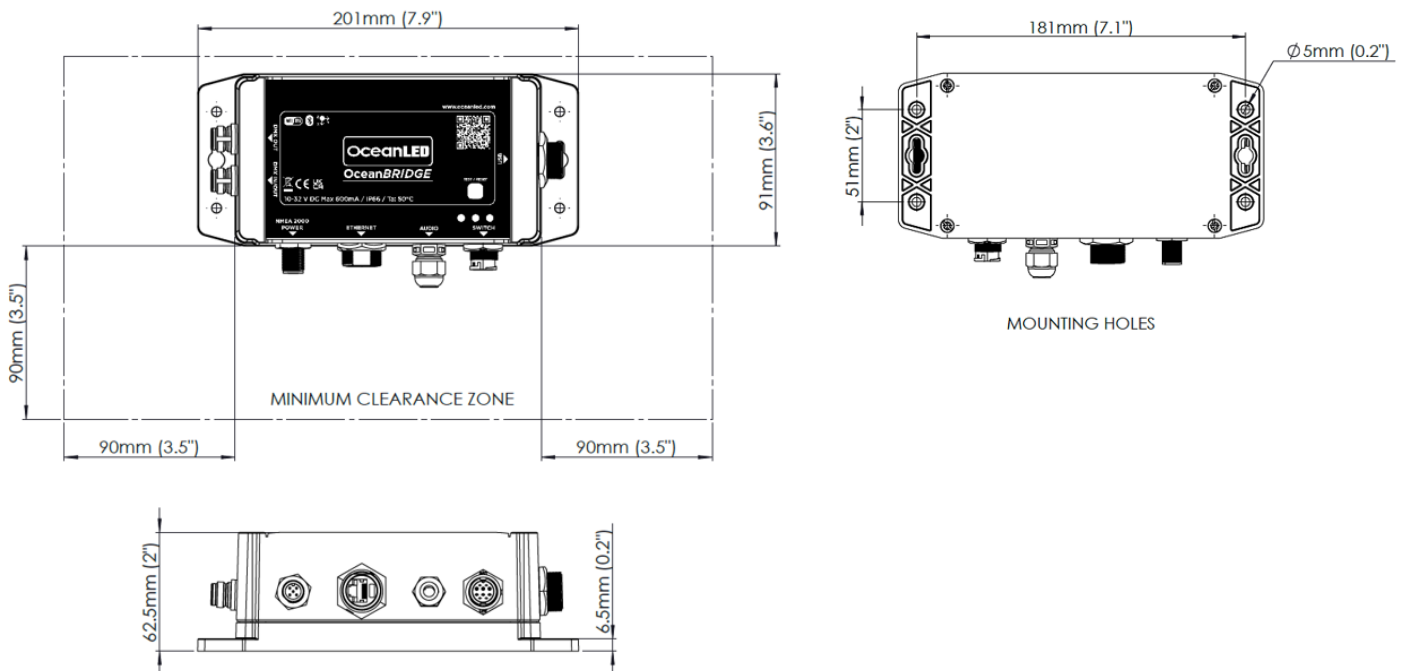
Diagnostic LEDs (H):

ID	LED	STATUS
1	Green - ON	Unit operating properly
2	Amber - ON	Reading Devices (RDM mode)
3	Red - ON	Overheating
4	Amber, Green, Red - ON	Loading System
5	Green, Red - ON	Factory Reset Initialized

Test/Reset Switch (I):

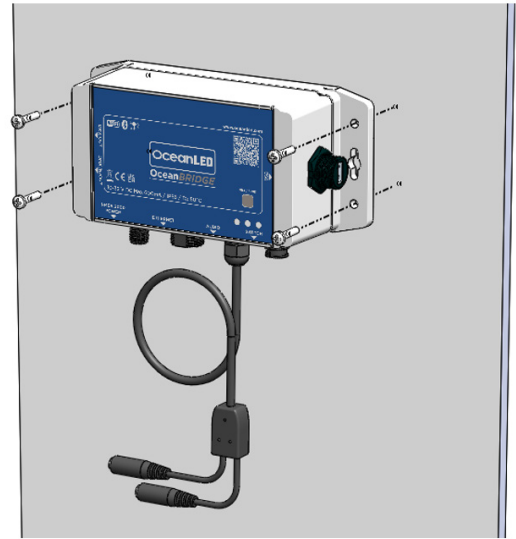
ID	SWITCH	FUNCTION
1	Press once (short press)	Test Mode - The unit will execute power on sequence on all connected devices
2	Press and hold until Amber LED ON (approx. 5s)	Reboot/Reload the OceanBridge App
3	Press and hold until Red LED ON (approx. 30s)	Factory Reset - All data and settings will be erased

DIMENSIONS



MOUNTING

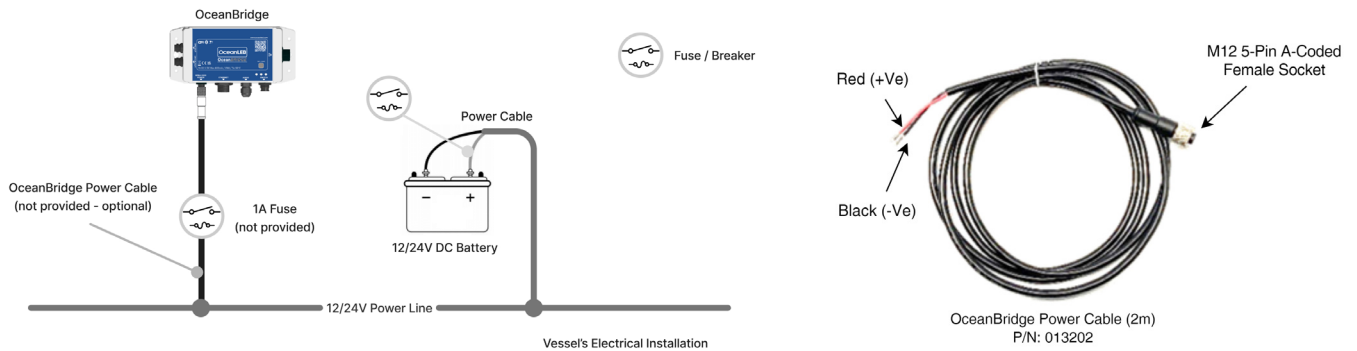
1. Find a suitable mounting location and consider your wiring route, surfaces and position. For utilizing the movement-to-colour function the unit should be mounted in or as close as possible to the rotational centre of the vessel (See full manual for details). Please consider location to prevent Wi-Fi and Bluetooth signal issues.
2. Check to ensure there are no obstructions, such as cables or pipes behind your mounting area.
3. The unit's mounting holes are located at the four corners of the lid.
4. The provided mounting screws are designed to be compatible with various surfaces, such as wood or fibreglass. Before mounting, mark the desired hole positions and drill pilot holes accordingly. Take caution to verify the absence of any obstructions, such as cables or pipes behind the drilling area.
5. Mount the OceanBridge unit using the screws provided. Ensure all four mounting holes are secured. Tighten screws by hand only.



ELECTRICAL INSTALLATION

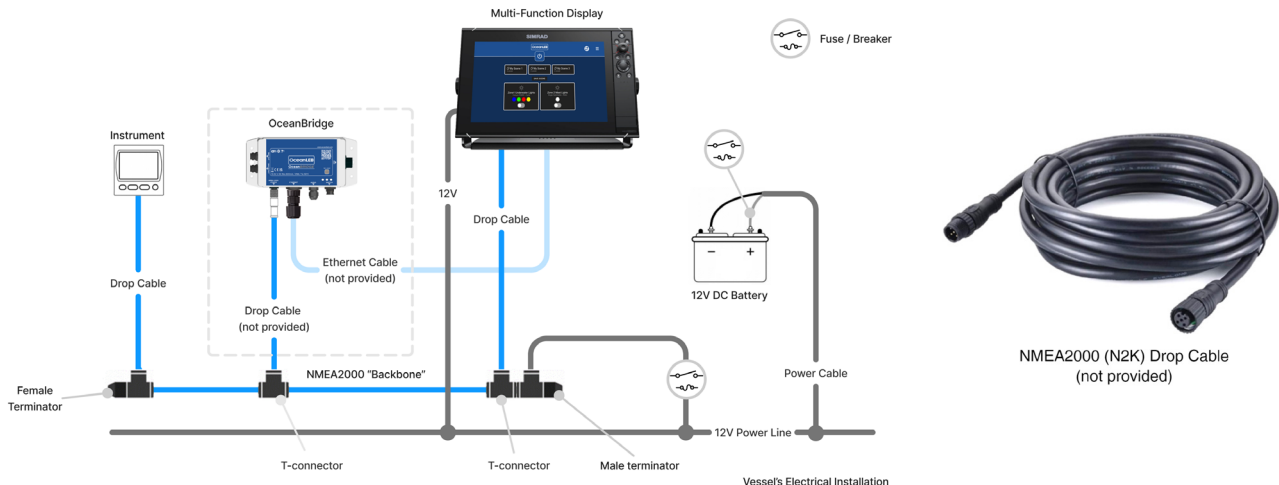
Power Connection

Use the OceanBridge Power Cable (p/n: 013202; not included with OceanBridge – p/n: 013201). Connect the end with the socket to the OceanBridge NMEA2000/Power port and link the other end to the on-board battery. Connect the +VE Red wire to a +12/24V fused power source. Connect the -VE Black wire to the battery - (Ground) supply.



CAN BUS (NMEA2000)

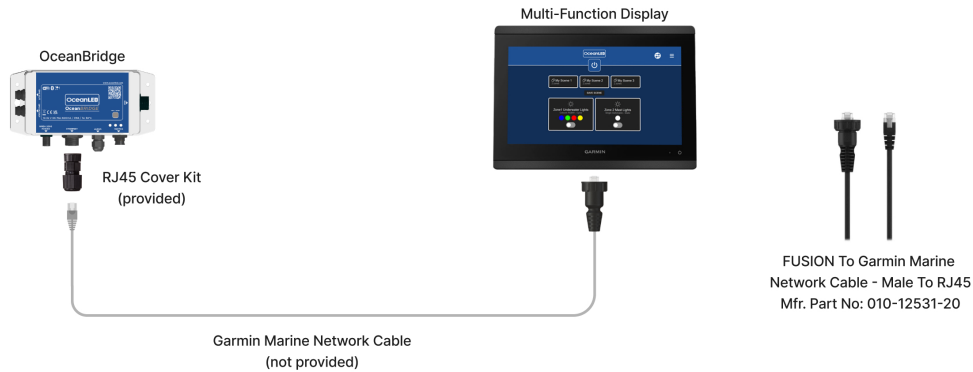
Connect an NMEA2000 drop cable (not provided) to the OceanBridge NMEA2000/Power port and the other end of the cable to the backbone of the NMEA2000 installation.



ELECTRICAL INSTALLATION

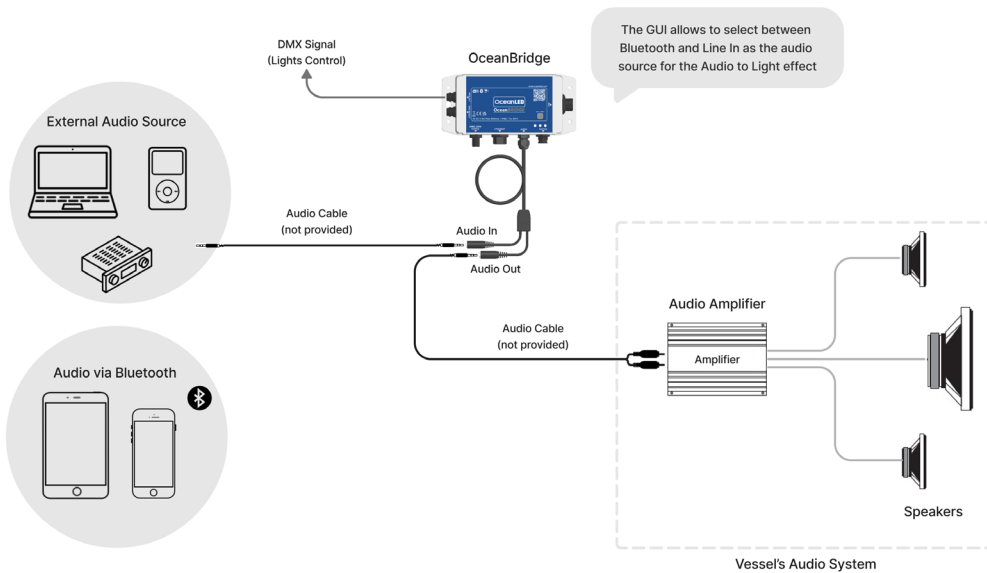
MFD Install – Ethernet Connection

Connect the OceanBridge unit to the MFD using the Ethernet cable (not provided). Please refer to the full manual for connections with different MFD manufacturers.



Audio

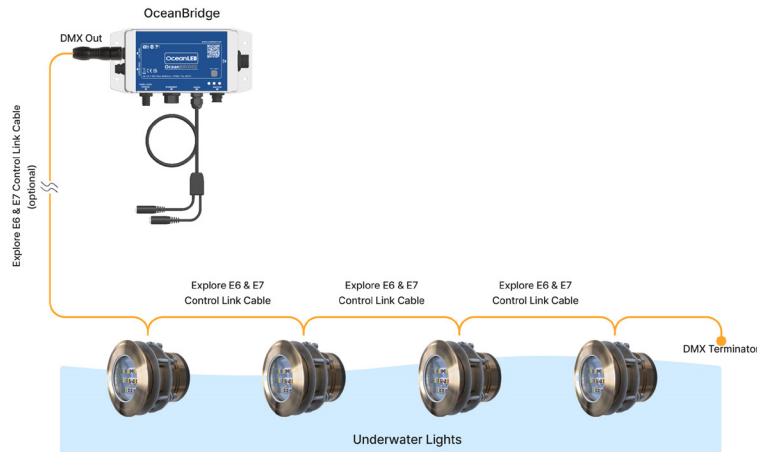
Depending on your audio device, you will need the appropriate audio extension cable/s (not provided). Use the 3.5mm Audio-In input to connect your chosen device as the source of the audio. Connect the external audio system to Audio-Out output.



CONNECTING LIGHTS:

Example: EXPLORE Series E6 & E7 DMX

For the straightforward connection with the Explore E6 & E7 lights, use Explore E6 & E7 Control Link Cable (not provided, see full manual Appendix 9.5). Connect the male plug of the cable with the OceanBridge DMX OUT port and connect the other end to the first light in the DMX chain. Ensure to terminate the last device in the DMX chain with the DMX terminator (optional).



Please ensure you have read the full Installation Manual before fitting this product.

DIRECTIONS FOR USE:

When first installed or after a factory reset, the system needs to be set up. The setup process allows the discovery or manual addition of lights connected to the DMX network and enables the user to group the lights either into a single zone or multiple zones. The setup can be done either from the MFD via the OceanBridge App or via external devices using the Wi-Fi connection. OceanLED recommends using an external device such as a laptop or mobile phone for the initial setup.

QUICK START LAUNCH

For simple 'out the box' operation, the USB memory stick provided with the device is pre-loaded with two standard profiles. A single zone, with either RGBW colours lights or dual colour lights. These simple setups will allow control of your lights.

1. To access the quick start setup, insert the USB stick with the setup files into the OceanBridge USB port.
2. Open the main menu and navigate to: **System > Backup & Restore**, and select **'RECALL BACKUP'**.
3. Within the pop-up window, select the USB stick as the file location, and then tap on **'SELECT VALUE'** to display the files.
4. Select the file related to the installed light type and select **'RESTORE'** to restore the setup file. Later the system can be tailored further using the more advanced setup outlined below.

STANDARD LAUNCH

For more advanced systems where multi-zones, different light types, or sweep functionality is required, the system will need to be setup using the following procedure:

1. From the main menu navigate to: **Settings > Device Setup**, then **'Discover'** or **'Manual Add'** to add your lights. **'Discover'** will automatically discover **OceanLED E6, E7** and **Sport / E3 DMX lights**. For all other lights **'Manual Add'** should be used.
2. To create zones, from the main menu navigate to: **Settings > Zone Setup**, then select **'New'** and name your zones based on their location. You must select the correct light type for each zone. Each light should then be added to the relevant zone. E.g. Transom.
3. The zones will be listed on the screen and added to the home page as zone cards, where they can be controlled.

USING THE SYSTEM

- After zones have been added they will appear on your OceanBridge home screen.
- Light colour, mode, speed etc., can all be controlled by selecting the individual zones.
- Configured zones are displayed, with each presented as a separate 'Zone Card.' Each zone can be independently turned on or off by pressing the toggle button on the respective Zone Card. Additionally, by selecting the gears icon on the zone card, you can choose the zone effects.
- The sweep function is activated via the icon located at the top right of the home screen.

ZONE EFFECTS



Static: For RGBW/RGB and Dual colour lights, the required colour can be selected via the colour wheel or colour gradient selector. For dimmable single colour lights, brightness can be adjusted.



Cycle: Select up to four colours. Lights will transition between each colour. Brightness and cycle fade speed can be adjusted.



Strobe: Up to four colours can be selected, including off. Lights will switch between these colours. Brightness and cycle fade speed can be adjusted.



Audio Sync: Sync lights to music. Audio input via line-in or Bluetooth.

Select four colours. Colour One = Ambient colour (displayed in quiet periods). Colour Two = Bass tones. Colour Three = Mid Tones. Colour Four = Treble Tones. Overall brightness and sensitivity can be adjusted.



Movement: Lights change with the movement of the vessel/unit.

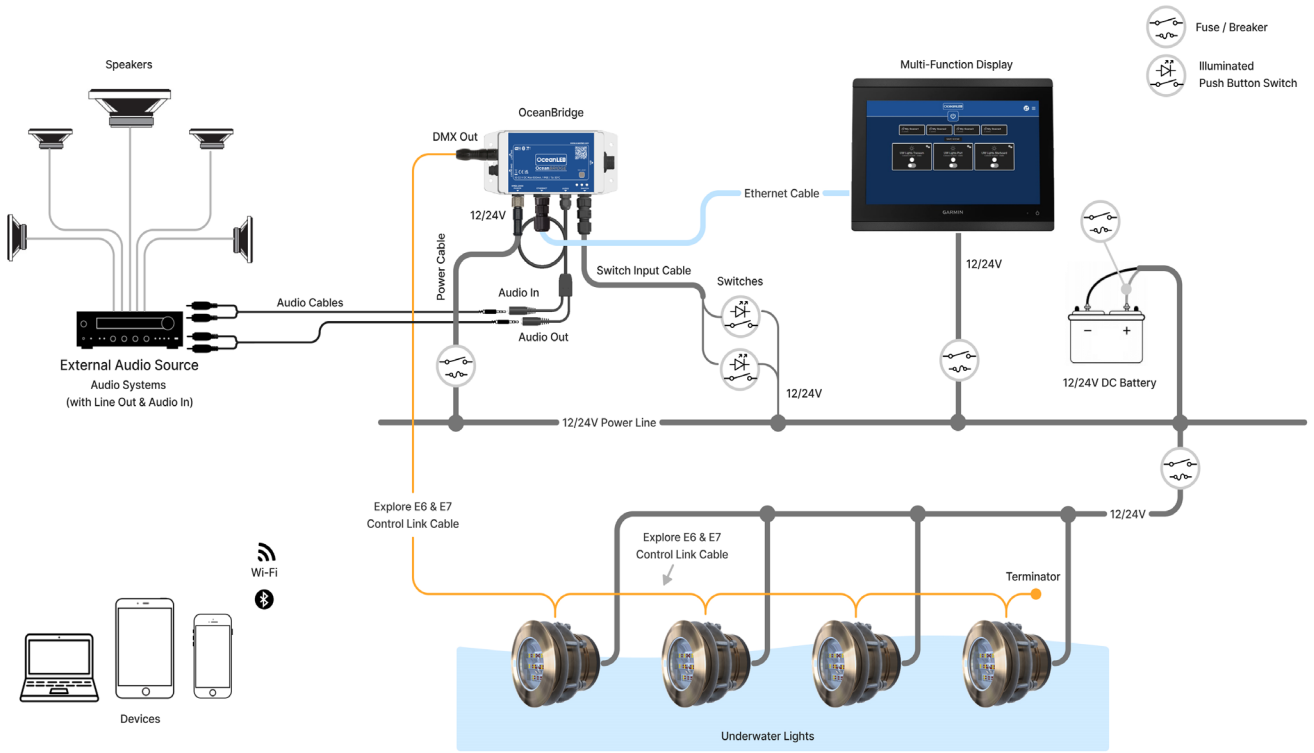
Select five colours. Colour One = Ambient colour (colour displayed when static). Colour Two = the -Ve X-axis of the unit. Colour Three = the +Ve X-axis of the unit. Colour Four = the -Ve Y-axis. Colour Five = the +Ve Y-axis.

SWEEP EFFECTS

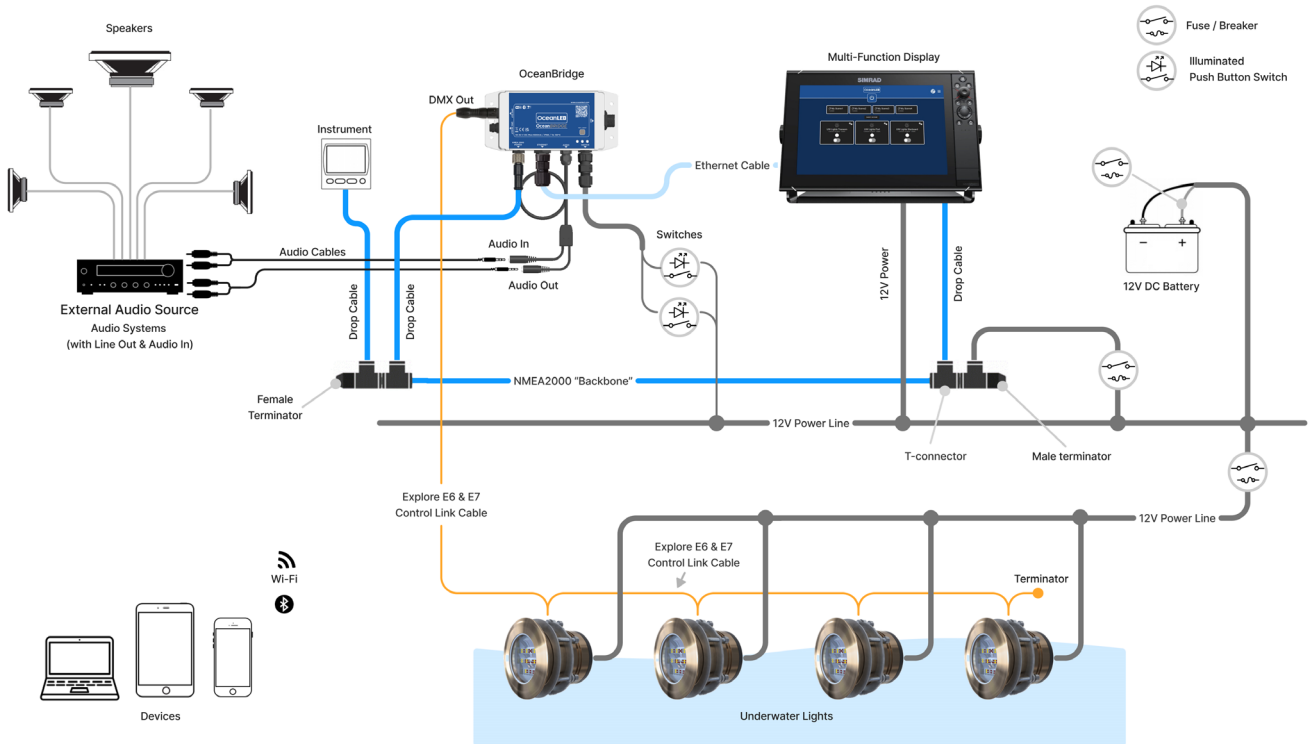
- **Rainbow:** The lights smoothly transition through a sequence of up to four user-specified colours, following the predetermined order of these colours as they move across the light row. Users can choose the speed of the transition to create a slow, gentle sweep or a fast, dynamic effect.
- **Knigh:** The lights move back and forth, resembling a "scanner" like motion. Single colour setup. User can control the speed of the light movement.
- **Pulse:** The lights move from one side to the other, resembling the motion of a pulse. It's a single-colour setup. The user can control the speed of the light movement.



OceanBridge System Configuration Example



OceanBridge System Configuration Example Using NMEA2000 Network



Please ensure you have read the full Installation Manual before fitting this product.